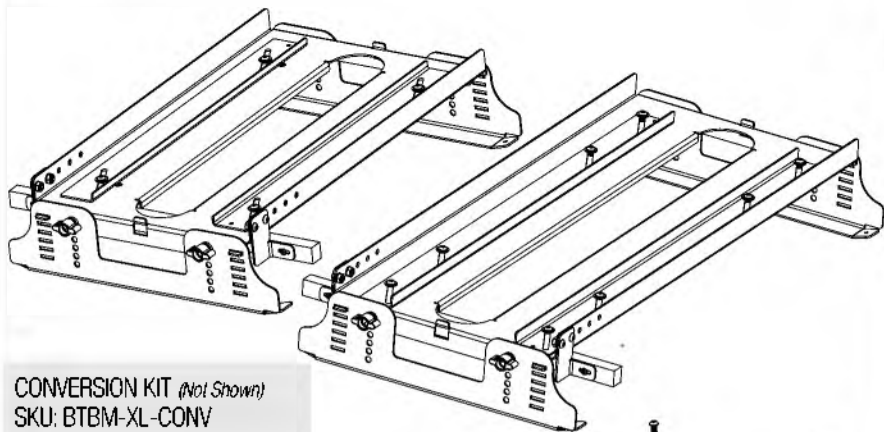


Woodpeckers®

ROUT-N-PLANE™ & ROUT-N-PLANE XL™ BENCHTOP BOARD MILL

O W N E R ' S M A N U A L

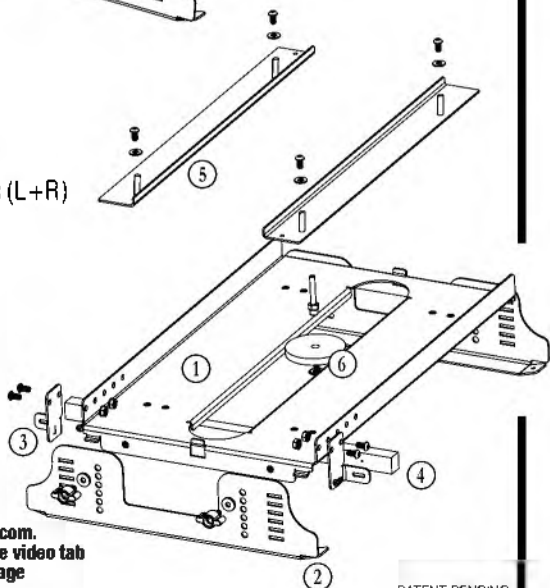


CONVERSION KIT (Not Shown)
SKU: BTBM-XL-CONV
Also available at Woodpeck.com

DIAGRAM NUMBER	{QTY}	PART NAME
①	(1)	Sled
②	(2)	Ski
③	(1)	Fence Mounting Brackets (L+R)
④	(1)	Sacrificial Fence
⑤	(2)	Router Guides
⑥	(1)	Alignment Ring

HARDWARE

- (4) Red Knobs & Washers
- (4) 1/4-20 Screws
- (4) KEP Nuts
- (2) Fence Screws
- (1) Alignment Arbor
- (1) 5/32" Hex Wrench



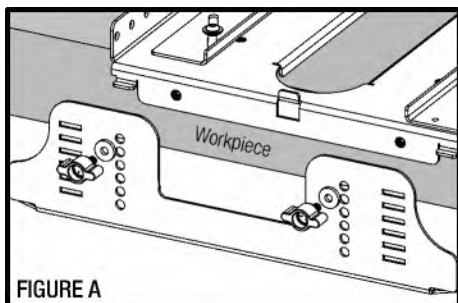
Scan the QR code to visit woodpeck.com.
Find the product page, then under the video tab
towards the bottom of the product page
you will see product videos.

PATENT PENDING

If you think you're missing anything, email us at mailroom@woodpeck.com.
You can also call us at 800-752-0725 from 9:00 a.m. to 4:00 p.m. EST Monday - Friday.

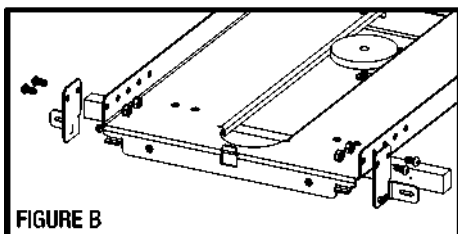
I. ASSEMBLY

1. Place the Sled ① on top of your workpiece with Router Guides ⑤ up.
2. Insert the tabs of the Sled ① into the next highest Ski's ② slots and loosely attach with two Red Knobs and Washers. Repeat for the other Ski ②. *Figure A.*
3. Slide the assembly over your entire workpiece to ensure it does not bind anywhere. Tighten all Red Knobs.



II. INSTALLING THE SACRIFICIAL FENCE

1. With the five Fence mounting holes towards you, install the Fence Mounting Brackets ③ with the one marked "L" to the left using the 1/4-20 Screws and KEP Nuts. *Figure B.*



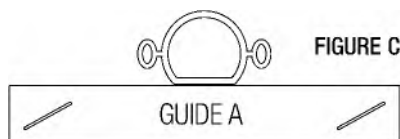
NOTE: For maximum overall cutting width, install Workpiece Edge Guide Supports in outermost holes.

2. Attach the Sacrificial Fence ④ to the Fence Mounting Brackets with the Fence Screws through the slots.

III. ALIGNING THE ROUTER

1. Install the Alignment Arbor into your router collet and adjust so that the bushing is below the router's base. Secure the Alignment Ring ⑥ to the Arbor and adjust router depth so it is against the router's base.
2. Using the Hex Wrench, loosen the bolts on Router Guides ⑤ and place your router with the Alignment Ring ⑥ in the center of the sled.

IMPORTANT: Read warning labels. If your router base has one or more straight edges, the largest straight edge should always be against GUIDE A. *Figure C.*



3. Align Router Guides ⑤ to router base and tighten to Sled ①. Move router back and forth on Sled to ensure it is running freely, adjust Router Guides as necessary.
4. Remove Alignment Ring ⑥ and install router bit (*Maximum Diameter 2"*).

IV. WORK HOLDING & WORKPIECE REQUIREMENTS

1. The Benchtop Board Mill accepts workpieces with a minimum height of 3/4" and a maximum height of 3". When selecting the location of your workpiece on the table, consider the location and travel of the Benchtop Board Mill.
2. Secure your workpiece to the table using clamp dogs, double sided tape, or similar. Ensure there will be no collision with the router bit.

V. ROUTER OPERATION

1. Consult your router manufacturer's recommendations and choose the correct RPM for the router bit.
2. Unplug your router and set the depth of your router bit to remove 1/16"-1/8" from your workpiece. Multiple passes will yield the best results.
3. After making a cut, ensure the router bit is clear of the work piece before advancing the sled. Advance the sled, guiding the Sacrificial Fence along the edge of the workpiece.
4. Depending on your router base's radius, the maximum width of the workpiece is around 15" (based on 6" router base and 1" diameter cutter).

NOTE: The Benchtop Board Mill requires a minimum router base diameter of 4-7/8".

CONVERSION KIT *(OPTIONAL)*

If you purchased the Conversion Kit, you can swap between your two sled sizes for increased workpiece width capacity.

1. To swap your Sled ①, first remove the Sacrificial Fence ④ installed in **Section II**.
2. Carefully remove the Red Knobs and Washers from both skis installed in **Section I**.

NOTE: Support the bottom of the Sled ① when removing the Red Knobs.

3. Assemble the new Sled ① and align the router using the processes in **Sections I & II**, and **III**.



WARNING! To reduce the risk of injury keep hands away from moving parts. Refer to your power tool manual for proper setup and use.



WARNING! To reduce the risk of injury, wear safety goggles or glasses with side shields, ear protection & a dust mask.

Woodpeckers®

Woodpeckers, LLC Strongsville, Ohio

woodpeck.com

© 2024 Woodpeckers, LLC



woodpeck.com

At Woodpeckers we are constantly reviewing & improving our tools. The most current version of our instruction manuals are always available to download at woodpeck.com.

(Located in the bottom section of the tool's page under the "Additional Information" or "Instructions" tabs.)



Be the first to know all the new products, OneTIME Tools & sales by subscribing to our eClub. *(Located at the top center of our webpage woodpeck.com.)*



Subscribe to our YouTube channel to stay up-to-date on all the latest tool tips & tricks.



INTERACT WITH US! Follow us on Facebook, Instagram & TikTok!



Enjoy shop tips, project ideas, tool techniques & more in our Woodworking Resource Center/Blog. *(Located at the bottom center of our webpage woodpeck.com.)*



WARNING! This product can expose you to chemicals, including chromium, which is known to the State of California to cause cancer and birth defects or other reproductive harm. For more information go to www.P65Warnings.ca.gov