

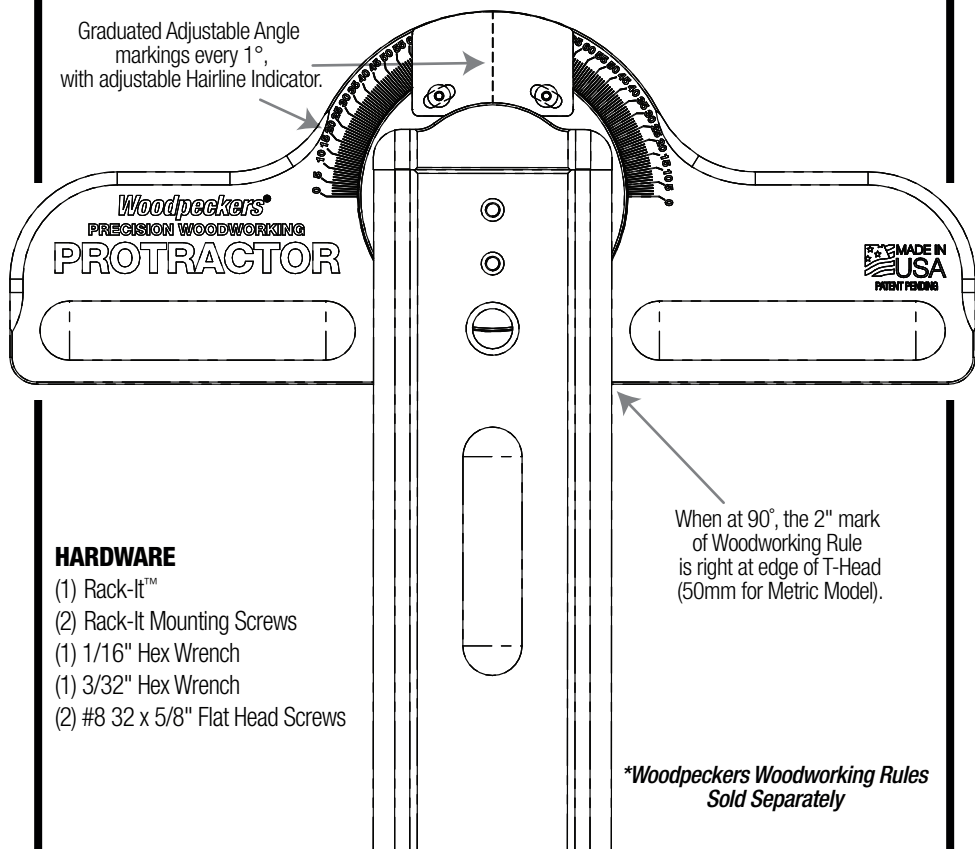
Woodpeckers®

PRECISION WOODWORKING

PROTRACTOR HEAD

O W N E R ' S M A N U A L

Graduated Adjustable Angle markings every 1°, with adjustable Hairline Indicator.



HARDWARE

- (1) Rack-It™
- (2) Rack-It Mounting Screws
- (1) 1/16" Hex Wrench
- (1) 3/32" Hex Wrench
- (2) #8 32 x 5/8" Flat Head Screws

When at 90°, the 2" mark of Woodworking Rule is right at edge of T-Head (50mm for Metric Model).

**Woodpeckers Woodworking Rules Sold Separately*



Scan the QR code above to watch the video or visit woodpeck.com under the video tab towards the bottom of the product page.

If you think you're missing anything, email us at mailroom@woodpeck.com. You can also call us at 800-752-0725 from 9:00 a.m. to 4:00 p.m. EST Monday - Friday.

• ATTACHING TO WOODPECKERS WOODWORKING RULES

(Sold separately at woodpeck.com).

The Precision Protractor Head converts any Woodpeckers Woodworking Rule (except the 6" rule) into an adjustable T-Square.

1. Line up the tapped holes in your Woodworking Rule with the countersunk holes in the Protractor Head
2. Insert one of the #8 32 x 5/8" Flat Head Screws into the countersink from the back of the Protractor Head into the threaded hole of the Woodworking Rule, using the 3/32" Hex Wrench. **FIGURE D.**
3. Lightly tighten the first screw before adding the second.
4. Once both screws are lightly tightened, proceed to fully tighten both. The offset of the countersinks should push the end of the woodworking rule tight up against the reference edge of the central core piece.

• CALIBRATION

The Hairline Indicator is factory calibrated on the Protractor Head. If the angle measurements are off, re-calibration may be necessary.

1. Begin by loosening the (2) Angle Lock Knobs on the rear of the Protractor Head.
2. Set the Protractor Head to 90° by using a known good square reference, such as a Woodpeckers 1281 Square *(sold separately at woodpeck.com).* **FIGURE C.**
3. Once set to 90°, lock the (2) Angle Lock Knobs. **FIGURE A.**
4. Next, loosen the (2) Button Head Screws that secure the Hairline Indicator to the pivoting core using the Hex Wrench.
5. Keep the Hairline Indicator pressed against the circular section at the top end of the Blade, and pivot until the Hairline reads exactly on the 90° line.
6. Tighten the (2) Button Head Screws on the Hairline Indicator in place. **FIGURE C.**

Your Protractor Head is now re-calibrated.

FIGURE A.

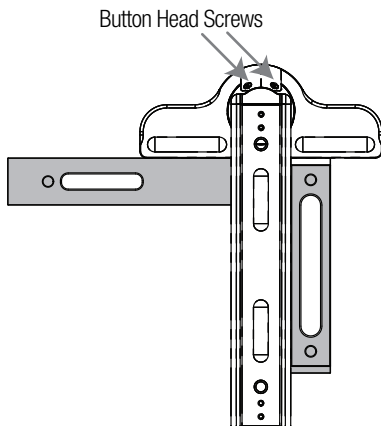
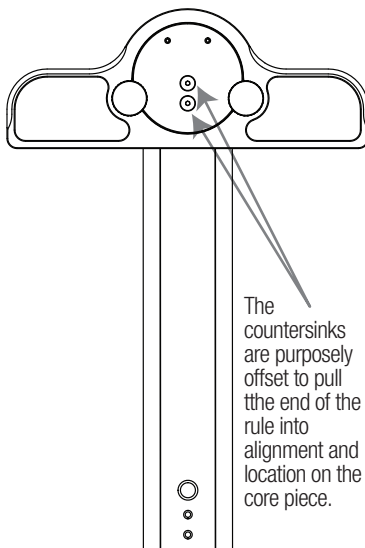
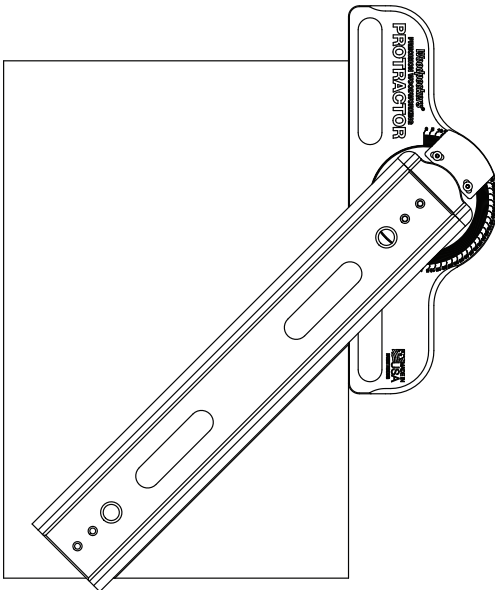
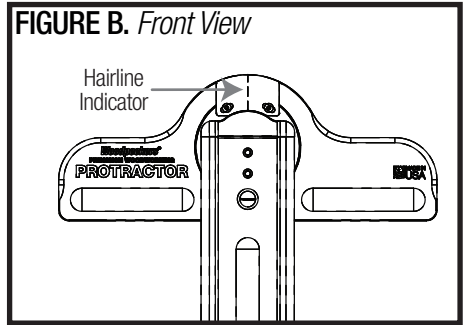
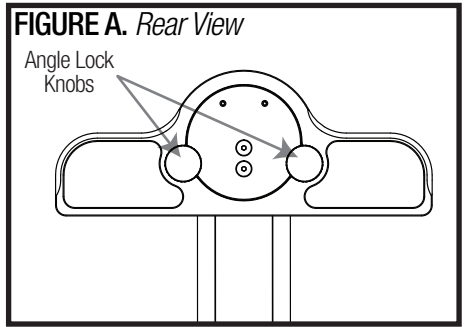


FIGURE D.

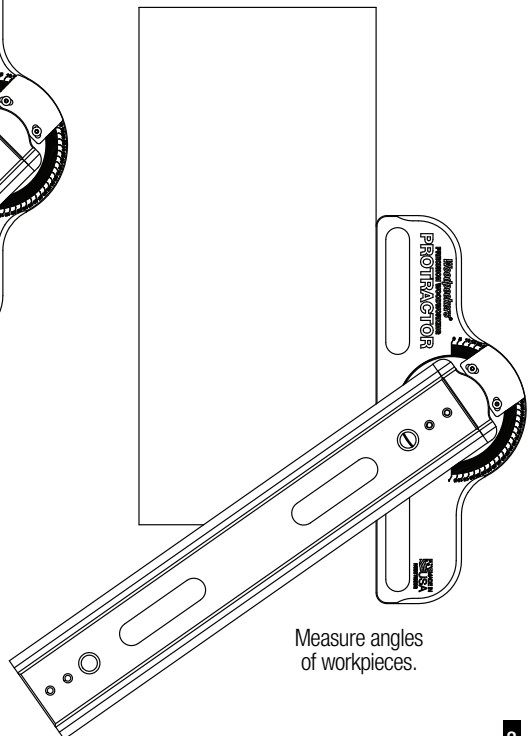


• ADJUST THE ANGLE

1. Loosen the (2) Angle Lock Knobs on the rear of the Protractor Head. *The Angle Lock Knobs do not need to be loosened very much, one quarter to a half turn should be more than enough.* **FIGURE A.**
2. Rotate the Blade relative to the Protractor Head until the desired angle is achieved.
3. The angle is read from the Hairline Indicator. **FIGURE B.**
4. Re-tighten the Angle Lock Knobs to secure the angle.



Layout angles
using angle scale.

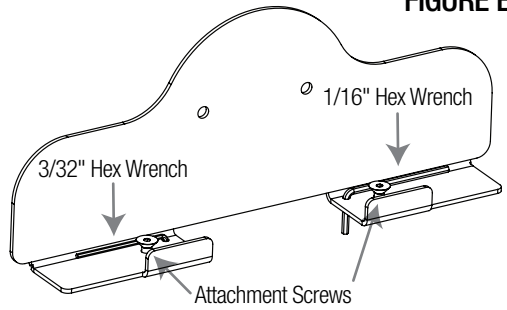


Measure angles
of workpieces.

• PROTRACTOR HEAD RACK-IT

The Rack-It stores the head with or without the Woodworking Rule attached. It can also store both the adjustment Hex Wrenches and Attachment Screws when not in use. **FIGURE E.**

FIGURE E.



Woodpeckers®

Woodpeckers, LLC Strongsville, Ohio

woodpeck.com

© 2023 Woodpeckers, LLC



woodpeck.com

At Woodpeckers we are constantly reviewing & improving our tools. The most current version of our instruction manuals are always available to download at woodpeck.com.

(Located in the bottom section of the tool's page under the "Additional Information" or "Instructions" tabs.)



Be the first to know all the new products, OneTIME Tools & sales by subscribing to our eClub. *(Located at the top center of our webpage woodpeck.com.)*



Subscribe to our YouTube channel to stay up-to-date on all the latest tool tips & tricks.



INTERACT WITH US! Follow us on Facebook, Instagram & TikTok!



Enjoy shop tips, project ideas, tool techniques & more in our Woodworking Resource Center/Blog. *(Located at the bottom center of our webpage woodpeck.com.)*



WARNING! This product can expose you to chemicals, including chromium, which is known to the State of California to cause cancer and birth defects or other reproductive harm. For more information go to www.P65Warnings.ca.gov